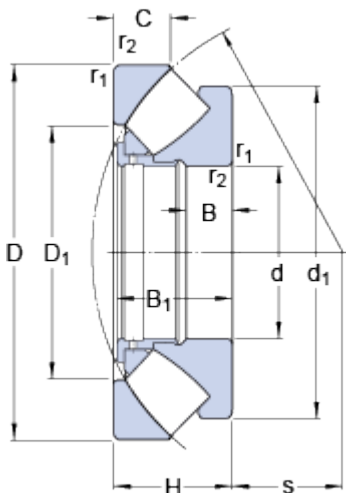


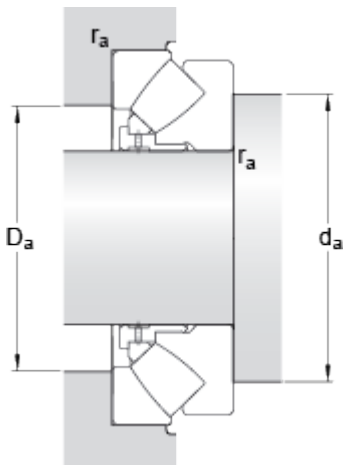
29264

Dimensions



| | | |
|-----------|--------|----|
| d | 320 | mm |
| D | 440 | mm |
| H | 73 | mm |
| d_1 | ≈ 430 | mm |
| D_1 | ≈ 372 | mm |
| B | 21 | mm |
| B_1 | 69 | mm |
| C | 38 | mm |
| s | 172 | mm |
| $r_{1,2}$ | min. 3 | mm |

Abutment dimensions



| | | |
|-------|----------|----|
| d_a | min. 380 | mm |
| D_a | max. 400 | mm |
| r_a | max. 2.5 | mm |

Calculation data

| | | | |
|---------------------------|-------|------|-------|
| Basic dynamic load rating | C | 1110 | kN |
| Basic static load rating | C_0 | 5100 | kN |
| Fatigue load limit | P_u | 465 | kN |
| Reference speed | | 850 | r/min |
| Limiting speed | | 1400 | r/min |
| Minimum axial load factor | A | 2.5 | |

Mass

| | | | |
|--------------|--|----|----|
| Mass bearing | | 33 | kg |
|--------------|--|----|----|